

# Installation Instructions

Read carefully before you begin installation

## Shelf Support

### Supports Wide Half-Depth Shelves

#### Fits

Base Cabinets

#### Contents

- (1) Base Shelf Support
- (4) #6 X 1/2" Truss Head Phillips Recess Screws

#### Tools Needed

- Tape Measure or Ruler
- Pencil
- Phillips Screw Driver
- Safety Glasses

## Procedure

- 1** Remove adjustable shelf from cabinet.
- 2** Using your tape measure or ruler, measure the width of shelf and mark a middle point along the back edge of the shelf.
- 3** Align the center of the Shelf Support with your pencil mark and attach to the shelf using two #6 X 1/2" truss head phillips recess screws.
- 4** Position shelf in cabinet (with the Shelf Support against the back) at the desired location with the side panel shelf clips.
- 5** Attach the Shelf Support to the back using two #6 X 1/2" truss head phillips recess screws (being careful not to strip the screws).
- 6** The shelf is now ready for use.

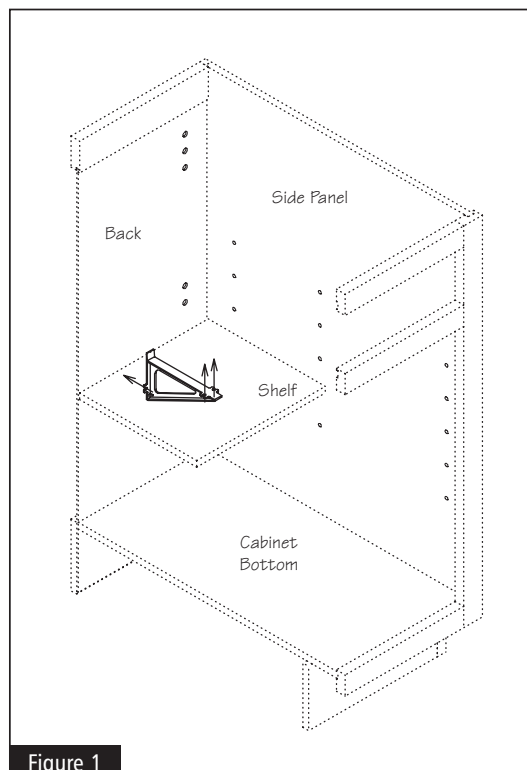


Figure 1