

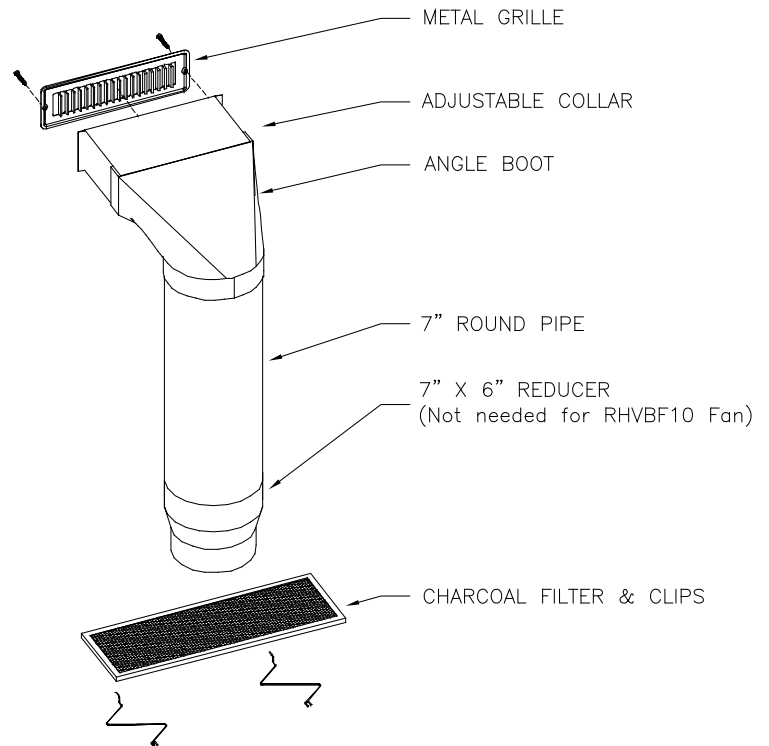
# Omega National

P R O D U C T S

## INTERIOR DUCTWORK KIT

90358DUC1

To be used with Omega National Products, LLC  
RHVBB20 Blower  
RHVBF10 Fan



1. Install blower or fan in metal liner ( sold separately ) following instructions provided .
2. Install charcoal filter into blower or fan.
3. Place 6" end of reducer if needed, over the blower fan collar and secure in place.
4. Place the non-crimped end of the 7" round pipe over the reducer. Seal and secure.
5. Place angle boot over the crimped end of the round pipe. Seal & secure.
6. Trim adjustable collar to fit application.
7. Mark and cut 3" x 10" hole for the Metal Grille. Seal and secure collar to angle boot and position over existing hole.
8. Position metal grille on face of chimney or soffit and secure with screws provided.



Omega National

P R O D U C T S

1010 Rowe St.  
Elkhart, IN 46516  
(574) 295-5353 Fax (800) 367-3329

10-0533-1A VS-44

©Omega National Products, LLC  
form OME-66, 02/08